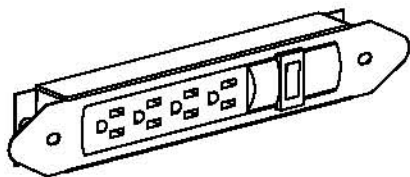


# ASSEMBLY INSTRUCTIONS



A: (1PC)



B: (2PCS)

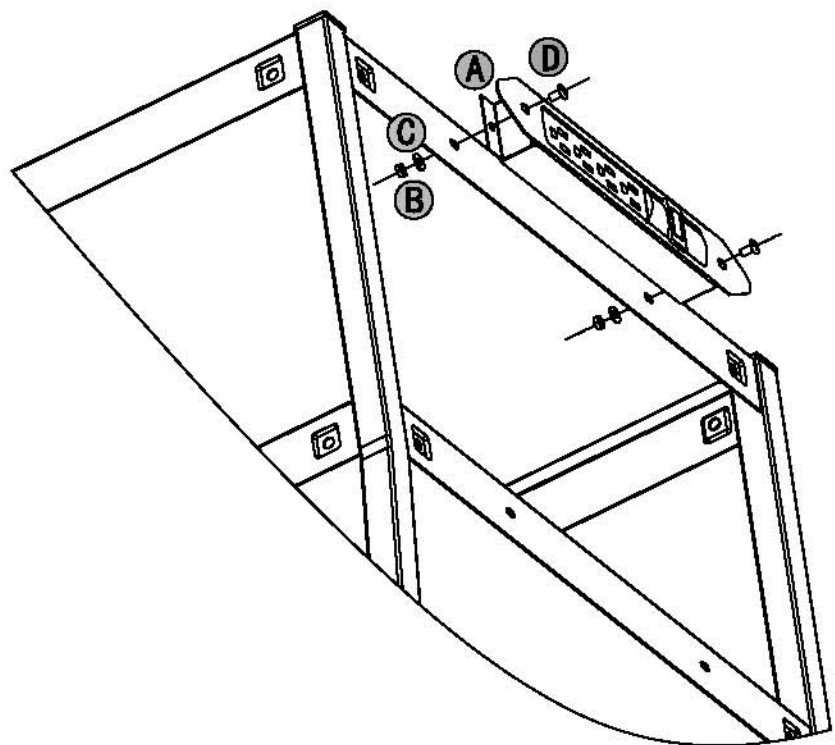


C: (2PCS)



D: (2PCS)

1



2

