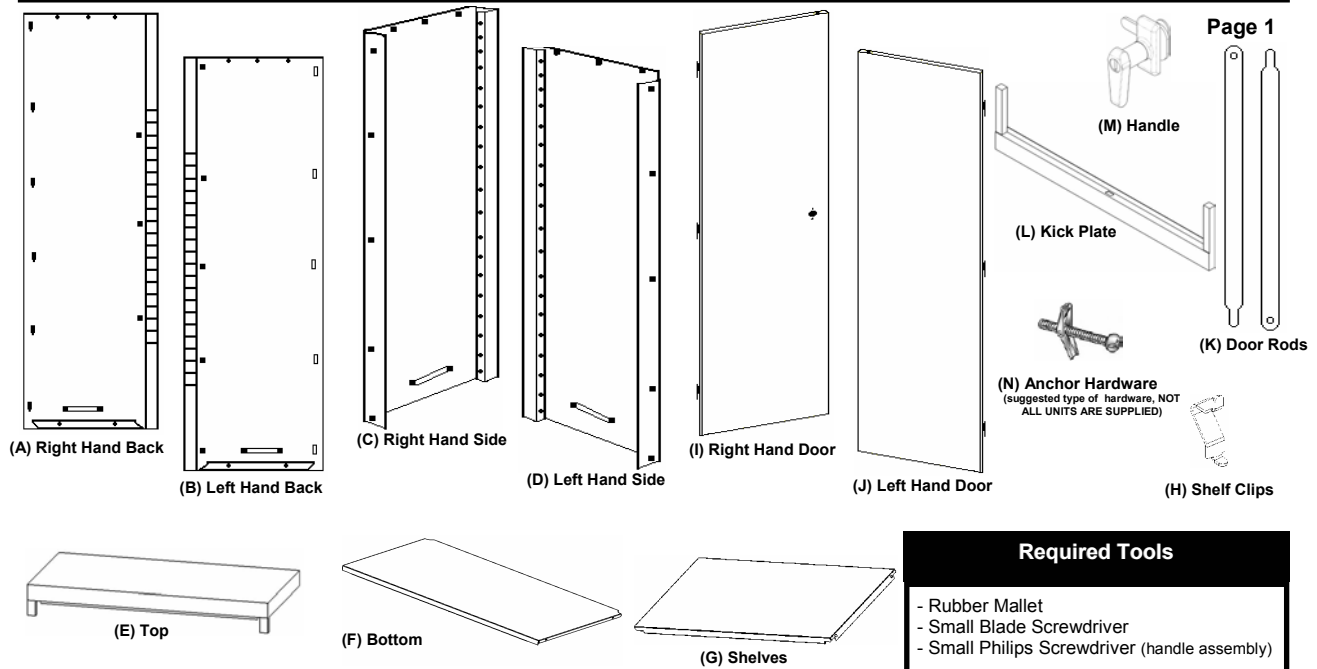


Quick Assemble Storage Cabinets

MODELS

RTA7000-1UFD7-1UFD6-1UEZ4-1UEZ5-1UEZ6
 RTA7001-1UFD3-1UFD2-1UFC2-1UFC3-1UFC4
 RTA7005-1UFD8-1UFD9-1UEZ7-1UEZ8-1UEZ9



Page 1

Safety Instructions

Use Caution when handling and assembling metal parts. The metal may have sharp edges or corners. The use of protective gloves is recommended. This unit should be securely anchored to a wall with suitable fasteners. Do not use this unit for anything that is outside the designed function of storage. Do not store loose or heavy items on the top shelves or on the top of the unit, for they create a falling hazard that can injure yourself or others. Always remember to use proper lifting techniques when moving either the boxed or assembled unit.

General instructions

It is recommended that the cabinets are assembled by more than one person. The use of a raised flat surface during assembly is highly recommended. During shipping and handling, some of the tabs that are used for assembly may have closed together. Use a flat tipped screwdriver to either pry up or push from behind the tab to re-open. Make sure that the unit is placed on a level surface, as this may effect the performance of the unit.

Part List & Product Specification <small>(patent pending)</small>		4 Shelf – 72" h x 18" d x 36" w RTA7000-1UFD7-1UFD6-1UEZ4-1UEZ5-1UEZ6		2 Shelf – 42" h x 18" d x 36" w RTA7001-1UFD3-1UFD2-1UFC2-1UFC3-1UFC4		4 Shelf – 72" h x 24" d x 36" w RTA7005-1UFD8-1UFD9-1UEZ7-1UEZ8-1UEZ9	
Reference	Description						
A	Right Hand Back	1	CBBK7218R KA	1	CBBK4218R KA	1	CBBK7218R KA
B	Left Hand Back	1	CBBK7218L KA	1	CBBK4218L KA	1	CBBK7218L KA
C	Right Hand Side	1	CBSD7222R KA	1	CBSD4222R KA	1	CBSD7228R KA
D	Left Hand Side	1	CBSD7222L KA	1	CBSD4222L KA	1	CBSD7228L KA
E	Top	1	CBTO3922 KA	1	CBTO3922 KA	1	CBTO3928 KA
F	Bottom	1	CBBO3718 KA	1	CBBO3718 KA	1	CBBO3724 KA
G	Shelves	4	CSSH3719	2	CSSH3719	4	CSSH3725
H	Shelf Clips	8	7000CLP	4	7000CLP	8	7000CLP
I	Right Hand Door	1	CBDO6718R KA	1	CBDO3718R KA	1	CBDO6718R KA
J	Left Hand Door	1	CBDO6718L KA	1	CBDO3718L KA	1	CBDO6718L KA
K	Door Rods	2	CDDR3325 KA	2	CDDR1825 KA	2	CDDR3325 KA
L	Kick Plate	1	CBKP3606 KA	1	CBKP3606 KA	1	CBKP3606 KA
M	Handle	1	201L	1	201L	1	201L
N	Anchor Hardware <small>(IF SUPPLIED)</small>	2	TB2	2	TB2	2	TB2

Should you have any comments, damage, missing parts, or problems with assembly of this unit please feel free to contact our Edsal manufacturing facility at, (773) 475-3000 and request customer service. We can also be reached on the internet at the following email address : customerservice@edsal.com.

To obtain replacement parts, please provide the following information :

- Model # - Part # & Description - Location Purchased - Date Purchased

Consumer Products Division
Edsal Manufacturing Company
 4400 South Packers Avenue
 Chicago, IL 60609
www.edsal.com
 Made In China

Important Please Read First

This instruction sheet was designed to help you assemble this unit in the proper way, please follow them using all parts and fasteners provided. Any alteration or deviation from this instruction sheet can result in unit failure. If you have any assembly problems or questions, please feel free to contact our Edsal manufacturing facility at (773) 475-3000 during the hours of 9:00 a.m. to 5:00 p.m. central standard time and ask for customer service. We have people available to assist you if need be with any part of this assembly process.

IT IS HIGHLY RECOMMENDED TO ASSEMBLE THIS UNIT AT EYE LEVEL, AND WITH THE HELP OF AN ADDITIONAL PERSON. Using a **RAISED** surface such as a **TABLE** or **DESK**, will greatly **EASE** the **ASSEMBLY PROCESS**. Assembly attempted on a much lower surface such as the floor, is still possible but does make the assembly process longer and harder. During the shipping and handling of this product, some of the panels may have a **MINOR** bend such as on a corner, door hinge pin, or a tab. This minor variation can be **REPAIRED SIMPLY** by using a **SMALL TOOL** or your **HAND** to move the material back to its designed form. A example will be outlined in the **"GETTING STARTED"** section listed below. Some of the materials used in the packaging to protect the parts from damage may leave dust or smudges on the steel panels. It is **RECOMMENDED AFTER ASSEMBLY IS COMPLETE** to use a **MILD SOAP** and **WATER** with a **SOFT CLOTH** to wipe the unit clean, and use the **SUPPLIED OR SUITABLE FASTENERS** to **PROPERLY SECURE** this unit to a **WALL**.

Getting Started

The assembly process uses tabs, notches, rectangular, and square holes to hold the parts together. To speed the assembly process, have a rubber mallet, small blade screwdriver, and a small phillips screwdriver ready. After unpacking all the panels, visually inspect the corners. These are the most susceptible to damage through the shipping and handling process. If you find a corner bent out of place, use your hand and gently move the corner back to the designed shape. Also during shipping and handling some of the tabs used for engaging the panels together may have become closed. Visually inspect all panels and if found that some are closed, use a small blade screwdriver to push the tabs from behind to open slightly (it is recommend to push tabs out slightly for ease of assembly, and then tap back down with a rubber mallet, to tighten engagement). A example of pushing the tabs out and how the engagement process works, is shown below.

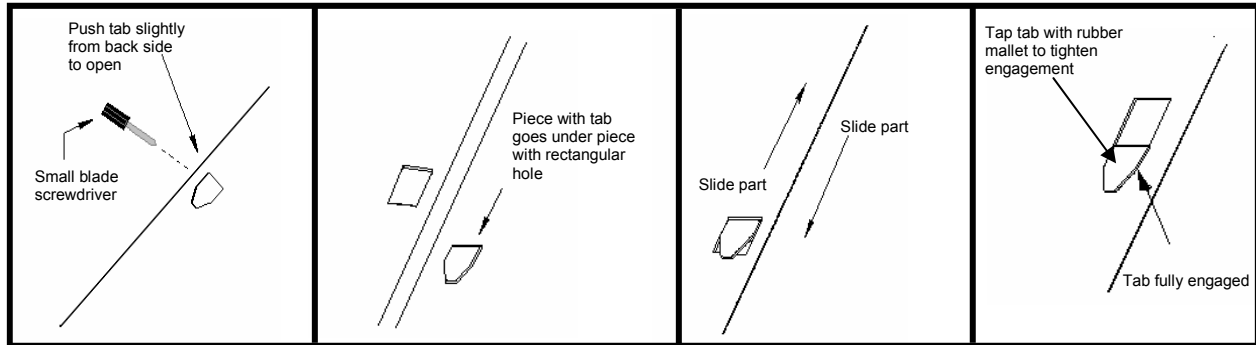
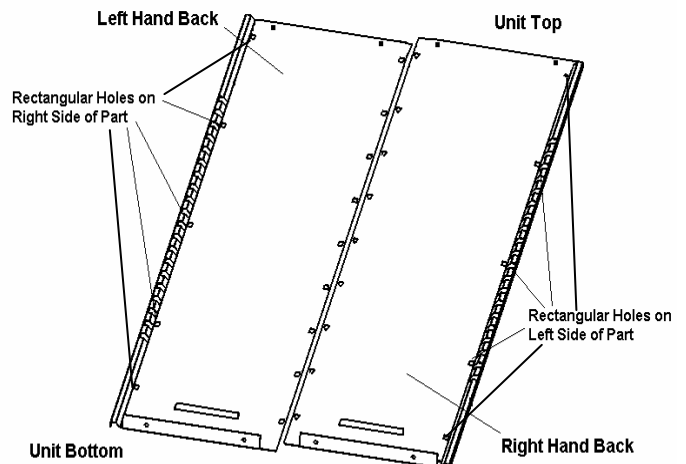


Figure 1- Back Assembly

Step 1 - Back Assembly

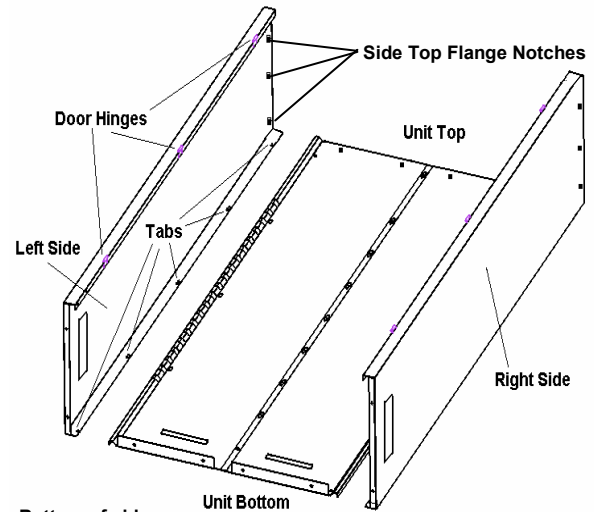
Place the left and right hand backs on a level surface. Position the parts so that all the tabs are facing up. Place the part with the rectangular holes (left hand back) over the part with the tabs (right hand back). Making sure the tabs ride into the rectangular holes, slide the backs together. Check to make certain that all the tabs and rectangular holes have engaged completely, then tap the tabs down for a tight engagement (see figure 1 for references).



Step 2 - Side Assembly

First step is to identify the right side panel and the left side panel. Identify by taking one of the panels and place the tab edge facing down. Notice the hinges are now facing up. Now look at the top and bottom edges. The top of the side has a notches on the flanges, and the bottom has a bend inward (see figure 2). Place the corresponding side panel under the back assembly making sure the tabs of the side panel ride into the rectangular holes of the back assembly. Slide the parts together making sure that the tabs and rectangular holes fully engage (if properly completed, the side and back assembly will be even at both ends. After assuring the correct side is fastened to the back assembly and the tab engagements are complete, tap tabs down with a rubber mallet to tighten the engagement. Repeat the same process for the opposite side panel.

Figure 2 - Side Assembly



Step 3 - Bottom Assembly

Install the bottom kick plate by inserting the channel into both return flanges of the sides so that the notch of the side panel engages into the square hole of the kick plate. Bend the notched tabs on the bottom of both side panels and on the inside return flange of the sides inward to prevent the kick plate from moving out of position. (see figure 3). Hold the bottom at an angle with the square cutouts are located toward the back. Place the bottom to the inside of the backs. The rear bend of the bottom will slide into the flanges of the backs. Push the front of the bottom down so that the side bends engage into the left and right side panel flanges, and the front flange bend wraps over the return flange of the kick plate (see figure 3). Carefully stand the unit upright, and tap down lightly on the bottom to insure proper engagement.

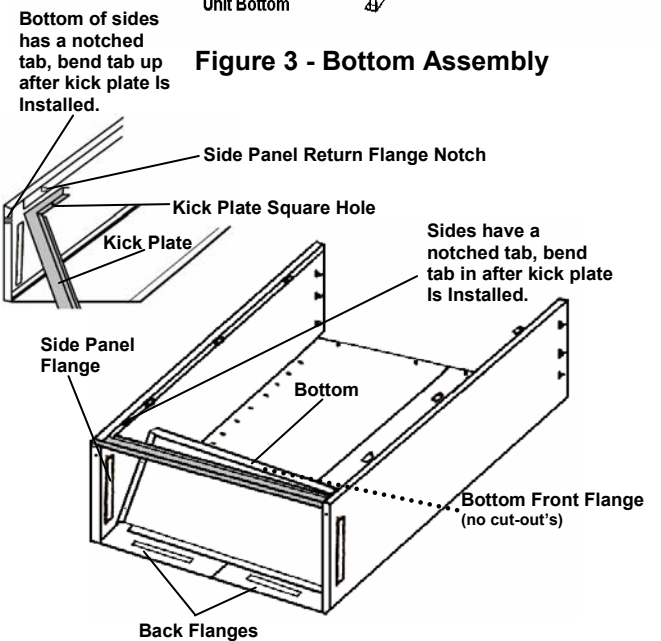
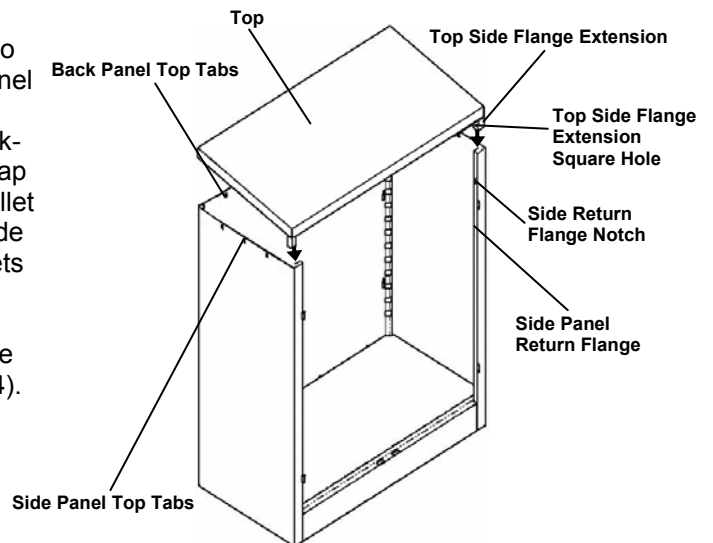


Figure 3 - Bottom Assembly

Step 4 - Top Assembly

Position the top at an approximate 25 degree angle so the top's side flange extensions slide into the side panel return flanges (see figure 4). After the flange extensions are partially engaged, align the top's inner brackets with the top edges of the side and back panels. Tap down lightly on the edges of the top with a rubber mallet working from the front to the back making sure the side and back panels start to engage into the inner brackets of the top. After assuring all the panels are partially engaged, evenly tap down on all edges of the top so that the tabs of the back and side panels snap into the square holes of the top's inside brackets (see figure 4).

Figure 4 - Top Assembly



Step 5 - Door Assembly

Now the doors are ready to be hung. With the hinge pins pointed down, select the door with three (3) holes for the handle cutout (see figure 5). This is the right hand door. Take the right hand door and align the door's hinge pins with the companion hinges located on the right side panel. Some of the hinge pins may have moved or come out of alignment during shipping and handling. If so, move the hinge pins back to the proper position so that they align with the companion hinge holes. Slowly slide the hinge pins into the holes and rotate the door slightly from left to right while applying minimal downward pressure until the pins seat properly to the companion hinges. Repeat the same process for the opposite door.

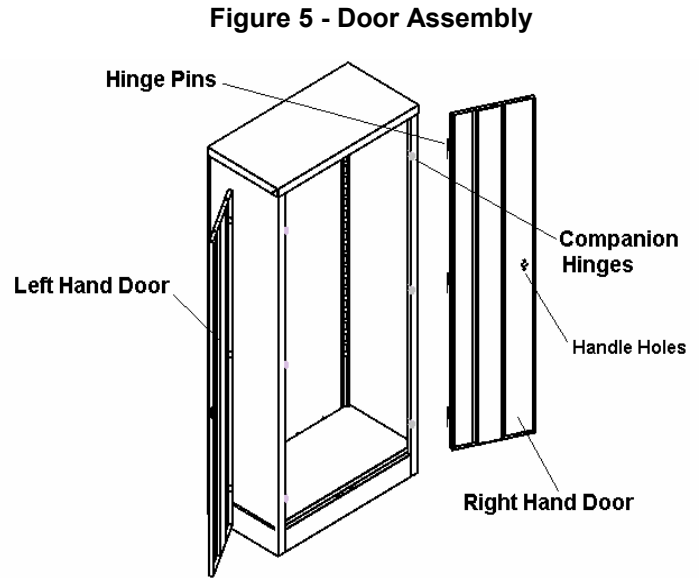


Figure 5 - Door Assembly

Step 6 - Shelf Assembly

First select a level for the shelf by selecting a set of square notches located inside the unit on the back left and back right sides. A series of round holes are located on the inside of the left and right hand side panels near the hinges. Using a shelf clip, insert the upper notch into a round hole opposite the selected square holes where the shelf is to be located. Push and “snap” the lower notch of the clip into place using the next lowest round hole. Repeat the shelf clip installation on the opposite corresponding side. To insert a shelf, angle the shelf so that the back of the shelf will engage the square notches on the back and lower onto the front shelf clips. Repeat the process for all remaining shelves.

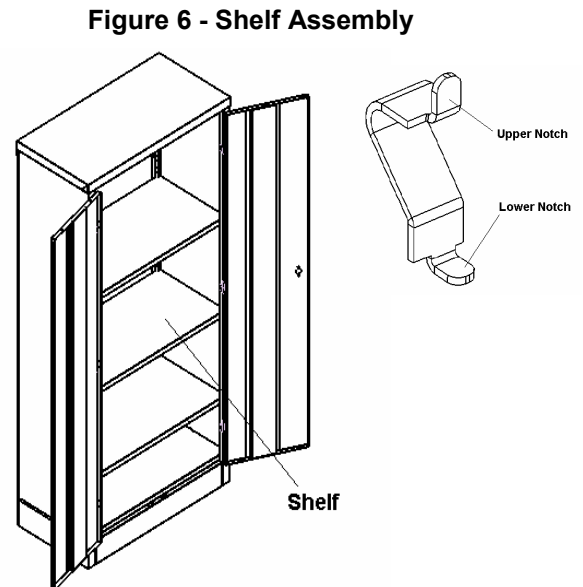


Figure 6 - Shelf Assembly

Step 7 - Final Assembly

To complete the unit, the locking handle needs to be installed on the right hand door. Follow carefully the assembly instructions as written on the handle hardware bag. Helpful hints on installation: The door rods will slide into small plastic guides on the door. Install the handle to the right hand door, then place the cam in position. Slide the tip of the door rod into the lower plastic guide and position the door rod onto the pin located on the cam and hold it in place. Install the other door rod in the upper plastic guide and position onto pin located on the cam and install the remaining hardware. **If wall anchor hardware was supplied with your model**, install the hardware by drilling two holes into the backs of the cabinet. Drill one on the left, and one on the right. Then use the toggle bolts **THAT WERE SUPPLIED** to secure the cabinet to a wall. If your unit **WAS NOT SUPPLIED** with anchor hardware, it is suggested to use a toggle bolt similar to the picture on page 1. See your local hardware dealer to purchase this type of hardware to properly secure the unit to a wall.

Figure 7 - Final Assembly

